

ADJUSTABLE PRESSURE SNUBBER

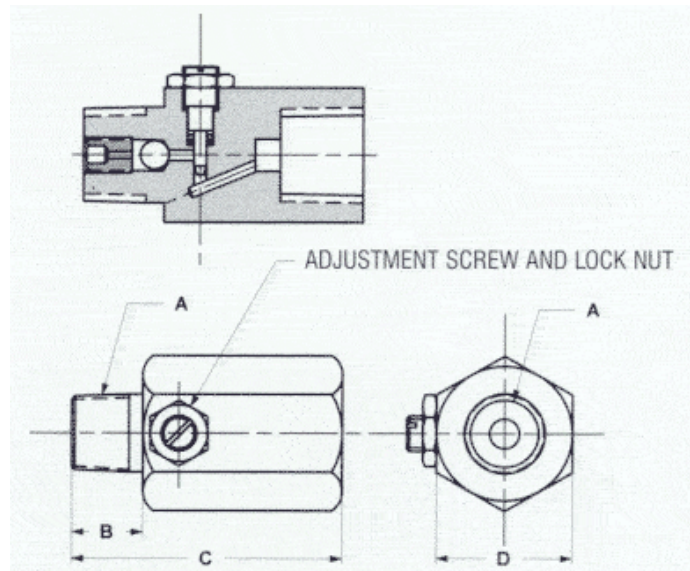
SNUBBER

- Fully field adjustable
- Choice of Brass or Stainless Steel



FEATURES AND BENEFITS

- Pressure Pulsation Dampener
- Adjustable Dampening
- Protects pressure gauges against pressure spikes, surges, and fluid hammers.
- Can isolate the gauge for service or replacement.
- Available in both Stainless Steel and Brass in 1/4", 3/8", and 1/2" NPT connection sizes.
- Fine thread adjustable valve allows user to fine tune harmful harmonic vibration from fluid systems
- Precision ball affords shock protection during pressure spikes or fluid hammer conditions.
- Most economical "life insurance" for instrumentation reliability.
- Simple, Clever, Economical



Part No.	Body Material	"A" Thd. Size	"B"	"C"	"D" Hex	Maximum Pressure
HSB4 HSS4	Brass SS	1/4-18NPT 1/4-18NPT	.51 (13mm) .51 (13mm)	1.77 (45mm) 1.77 (45mm)	.67 (17mm) .67 (17mm)	3,000 PSI 5,000 PSI
HSB6 HSS6	Brass SS	3/8-18NPT 3/8-18NPT	.59 (16mm) .59 (16 mm)	2.36 (60 mm) 2.36 (60 mm)	1.18 (30mm) 1.18 (30mm)	5,000 PSI 10,000 PSI
HSB8 HSS8	Brass SS	1/2-14-NPT 1/2-14--NPT	.79 (20mm) .79 (20mm)	2.36 (60mm) 2.36 (60mm)	1.18 (30mm) 1.18 (30mm)	5,000 PSI 10,000 PSI